

BESS MV KLT 2500

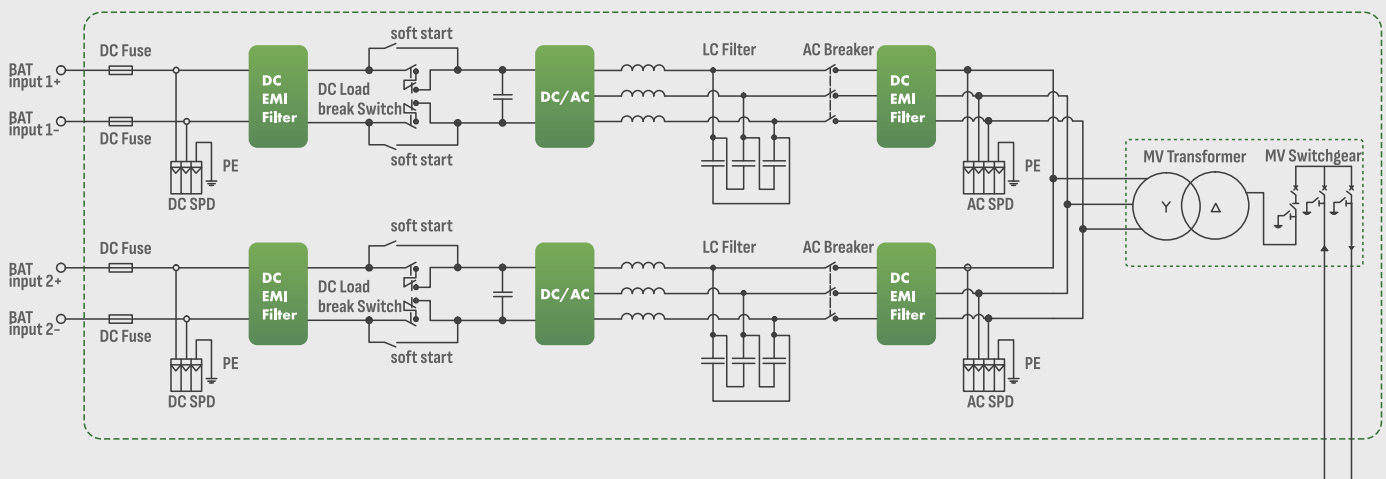
Turnkey integrated MV transformer station



Advantages

- ▶ PCS Max. efficiency up to 99%
- ▶ Full reactive power four-quadrant capability
- ▶ Millisecond-level power response to EMS/SCADA
- ▶ IP55 protection of PCS, IP54 protection of MV station
- ▶ Increased environment temperature working range $-35 \sim +60 \text{ }^{\circ}\text{C}$

Electric circuit diagram



MODEL
BESS MV KLT 2500
DC parameters

Max. DC voltage	1500 V
Max. DC current	2806 A
Battery voltage range	1000-1500 V
Number of DC inputs	2

AC parameters (On-Grid)

AC output power	2500 kVA
PCS AC voltage range	690 V
PCS Max.AC current	2302 A
Nominal grid frequency	50 Hz
THDi	<3%
Power factor	0.95~0.98

AC parameters (Off-Grid)

PCS Nominal AC voltage	690V, 3P3W+PE
PCS AC voltage range	690V
AC voltage distortion	<3% (100% linear load)
Nominal grid frequency	50HZ

Transformer

Transformer type	Oil-immersed transformer
Transformer rated power	2500 kVA
LV/MV voltage	0.69 kV/6kV/10kV/20kV
Transformer vector group	Dyn5
Transformer cooling type	ONAN
Oil type	Mineral oil (PCB free) or degradable oil on request
Volume of the oil receiver under the transformer	3000 L

General information

PCS Max. efficiency	99%
PCS European efficiency	98.5%
Ingress protection (IP) rating	IP 55
Operating temperature range	-35 ~ +60 °C (>45 C derating)
Relative humidity	0-100% (no condensing)
Max. altitude	5000m (>2000m derating)
Cooling method	Forced air cooling
Communication port	RS485/CAN/Ethernet/Bluetooth
Dimensions (W*D*H)	6058x2438x3200 mm
Weight	14330 kg