

# BESS MV KLT 5000

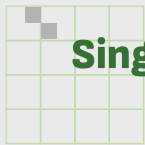


Turnkey integrated MV transformer station

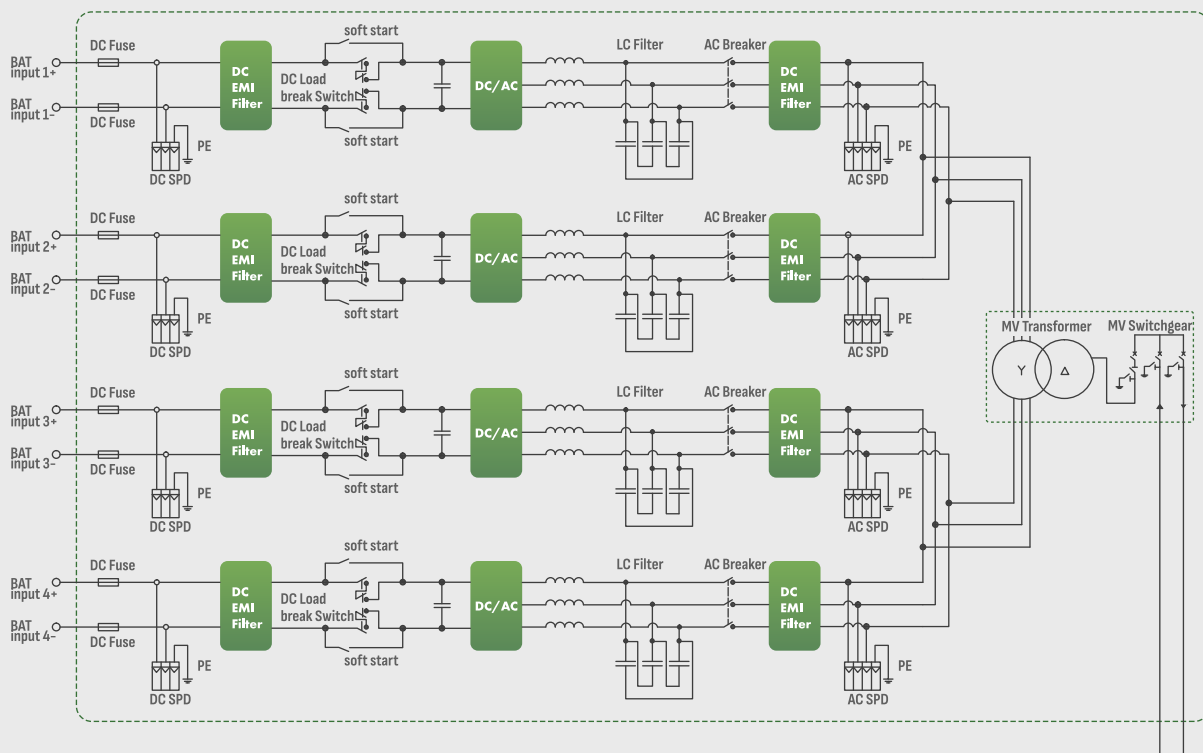


## Advantages

- ▶ PCS Max. efficiency up to 99%
- ▶ Full reactive power four-quadrant capability
- ▶ Millisecond-level power response to EMS/SCADA
- ▶ IP55 protection of PCS, IP54 protection of MV station
- ▶ Increased environment temperature working range -35 ~ +60 °C



## Single line diagram



MODEL		BESS MV KLT 5000
<b>DC parameters</b>		
Max. DC votlage		1500 V
Max. DC current		5612 A
Battery voltage range		1000-1500 V
Number of DC inputs		4
<b>AC parameters (On-Grid)</b>		
AC output power		5000 kVA
AC Max. output power		5500 kVA
PCS AC voltage range		690-736 V
PCS Max.AC current		4604 A
Nominal grid frequency		50 Hz
THDi		<3%
Power factor		> 99%(at rated power)
<b>AC parameters (Off-Grid)</b>		
PCS Nominal AC voltage		690V, 3W+PE
PCS AC voltage range		690V
AC voltage distortion		<1.5% (100% linear load)
DC voltage range		1000-1500 V
Unbalanced Load Capacity		100 %
Nominal grid frequency		50 Hz
<b>Transformer</b>		
Transformer type		Oil-immersed transformer
Transformer rated power		5000 kVA
LV/MV voltage		0.69 kV/6kV/10kV/20kV
Transformer vector group		Dyn5
Transformer cooling type		ONAN
Oil type		Mineral oil (PCB free) or degradable oil on request
<b>General information</b>		
PCS Max. efficiency		99%
PCS European efficiency		98.5%
Ingress protection (IP) rating		IP 55
Operating temperture range		-35 ~ +60 °C( >45 C derating)
Relative humidity		0-100% (no condensing)
Max. altitude		4000m (>2000m derating)
Cooling method		Forced air cooling
Communication port		RS485/CAN/Ethernet/Bluetooth
Dimensions (W*D*H)		8085x2438x3200 mm
Weight		18235 kg